



USER MANUAL

RATCHET WRENCH

MODELS : FRW-6NX-3,-4



FRW-6NX-3,-4

SPECIFICATIONS

Model	Capacity Screw Size (Guidance)		Max. Torque			Free Speed min ⁻¹	Head Size						Socket Hex. Size (○ Standard)	Overall Length		Mass		Air Consumption (Under Load)	
	mm	in	N·m	kgf·m	ft·lb		Thickness		Width		Length			mm	mm	in	kg	lb	Nm/min
FRW-6NX-3	6	1/4	10.8	11.0	8.0	200	13	33/64	20	25/32	88	3 15/32	8, (10)	320	11 5/8	1.2	2.6	0.33	11.7
FRW-6NX-4	6	1/4	10.8	11.0	8.0	200	13	33/64	24	1 5/16	93	3 21/32	12, (13)	325	11 13/16	1.2	2.6	0.33	11.7

*Air Inlet Thread Size...1/4"PT or NPT

*Air Hose Size...9.5mm (3/8")

*The performance figures are at 0.63MPa (6.3bar).



Refer to instructions and warning for safety use enclosed in each tool box.

FUJI AIR TOOLS CO., LTD.

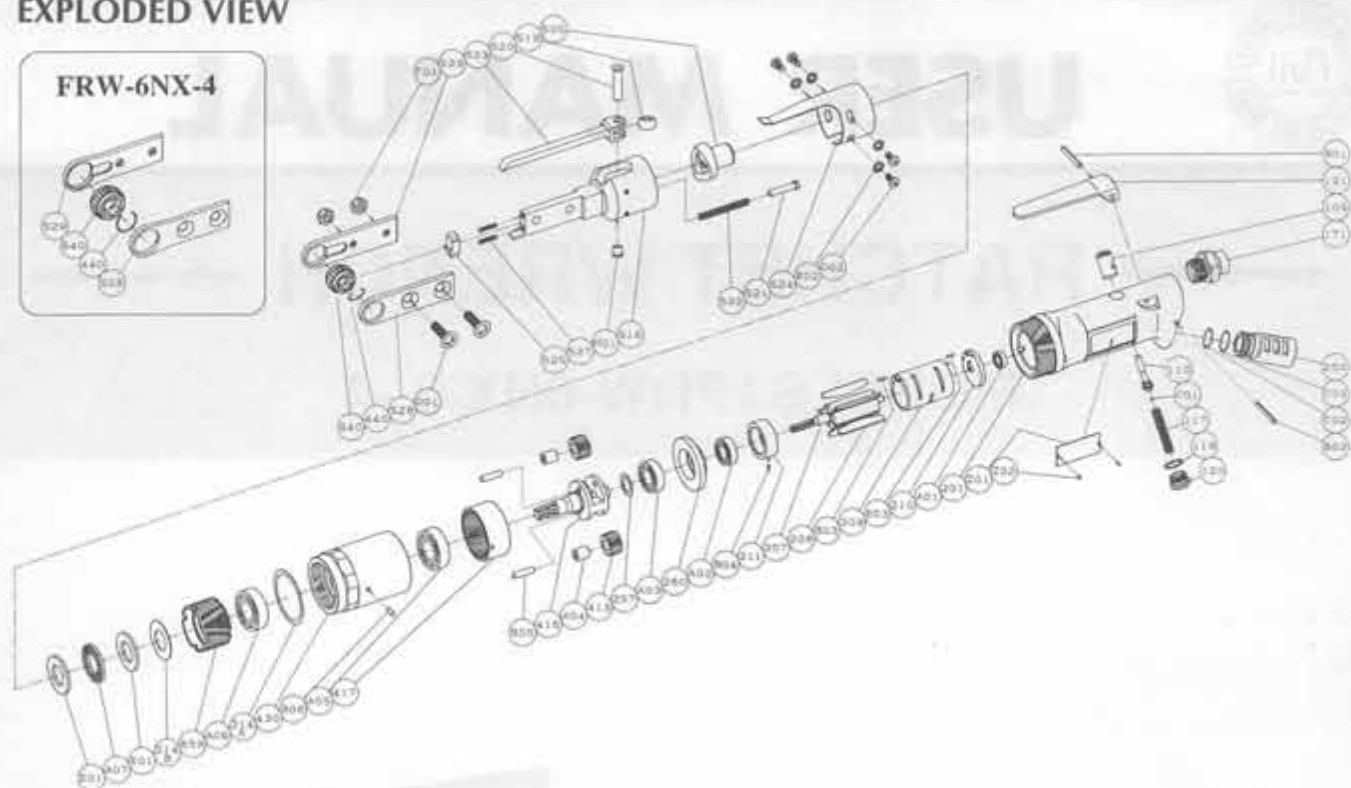
1-14, Kamiji 2-chome, Higashinari-ku, Osaka, 537-0003 Japan

Tel : (06) 6972-2335

Fax : (06) 6972-2250



EXPLODED VIEW



PARTS LIST

Index No.	Parts No.	Parts Name	Qt.	Index No.	Parts No.	Parts Name	Qt.	Index No.	Parts No.	Parts Name	Qt.
FRW-6NX-3,-4											
CP No.	W-272006-00	Housing C.P.		214A	W-272214-02	Adjusting Washer (T=0.3)	1	A06	BB-6902	Ball Bearing	1
201	W-272006-50	Housing	1	214B	W-272214-03	Adjusting Washer (T=0.5)	1	A07	NB-AXK1102	Needle Bearing	1
(109)	D-021109-00	Throttle Valve Bushing	1	214C	W-272214-04	Adjusting Washer (T=0.5)	1	B04	SP-1.64	Spring Pin	1
110	D-021110-A	Throttle Valve	1	257	W-272257-00	Washer	1	B05	NR-415	Needle Roller	2
117	W-272117-00	Throttle Valve Spring	1	260	W-272260-00	Bearing Case	1	B06	GP-36GCH	Grooved Pin	1
119	D-021119-00	T.V. Cover Packing	1	413	W-272413-00	NO.1 Planet Gear	2	D01	CS-620S	Cap Screw	2
120	D-021120-00	Throttle Valve Cover	1	416	W-272416-01	NO.1 Planet Gear Frame	1	D02	S-48P	Screw	4
121	M-073121-00	Throttle Valve Lever	1	417	W-272417-00	NO.1 Internal Gear	1	E01	TW-FTRC1528	Thrust Washer	2
171	W-273171-00	Inlet Joint (PT)	1	430	W-272430-00	NO.1 Gear Case	1	E02	TLW-4B	Lock Washer	4
171	W-273171-01	Inlet Joint (NPT)	1	505	W-272505-01	Cam	1	F01	UN-6	"U" Nut	2
250	W-252250-00	Exhaust Cover	1	516	W-272516-00	Cam Case	1	N01	GN-1/4	Grease Nipple	1
B01	SP-324	Spring Pin	1	519	W-272519-01	Cam Roller	1	Z01	NP-1067	Name Plate	1
B02	SP-325	Spring Pin	1	520	W-272520-00	Cam Roller Spindle	1	Z02	NPN-0X3.2	Screw Rivet	2
C01	O-P3	"O" Ring	1	521	W-273521-00	Cam Roller Push Rod	1	FRW-6NX-3			
C02	O-S14	"O" Ring	1	522	W-272522-00	Cam Roller Push Rod Spring	1	440	W-272440-01	Ring (10HEX)	1
C03	O-S15	"O" Ring	1	523	W-272523-00	Push Rod	1	528	W-272528-00	Side Plate (A)	1
207	W-272207-00	Rotor	1	524	W-272524-00	Push Rod Cover	1	529	W-272529-00	Side Plate (B)	1
208	W-067208-00	Rotor Blade	5	525	W-272525-00	Pole	1	540	W-272540-21	Socket (10HEX)	1
209	W-272209-00	Cylinder	1	527	W-273527-00	Pole Push Rod Spring	2	FRW-6NX-4			
(B03)	SP-1.65	Spring Pin	2	659	W-272659-01	Adaptor	1	440	W-272440-11	Ring (13HEX)	1
210	W-272210-00	Cylinder Upper Plate	1	A01	BB-634	Ball Bearing	1	528	W-272528-01	Side Plate (A)	1
211	W-272211-00	Cylinder Lower Plate	1	A02	BB-626	Ball Bearing	1	529	W-272529-01	Side Plate (B)	1
214A	W-272214-00	Adjusting Washer (T=0.1)	1	A03	BB-6900	Ball Bearing	1	540	W-272540-31	Socket (13HEX)	1
214A	W-272214-01	Adjusting Washer (T=0.2)	1	A04	NB-HK0408T2	Needle Bearing	2				
				A05	BB-6001	Ball Bearing	1				

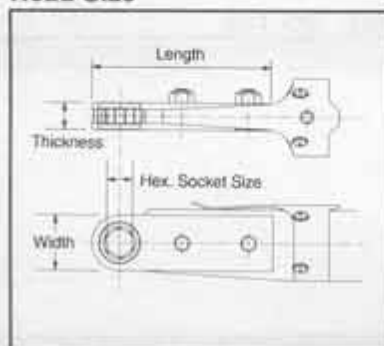
□ CP No. denotes the assembled parts comprising of more than 1 pc. of parts. The related parts are shown in the thick frame.

□ ≠ 108 and 209 are supplied together with parts shown in ().

□ Specify parts number and quantity in ordering.

LIST OF AVAILABLE SOCKETS

Head Size



Socket Type



LIST OF AVAILABLE SOCKETS: HEX SOCKET

Model	Index No.	Parts No.	Name of Part	Socket Hexagon Size (mm)
FRW-6NX-3	440	W-272440-00	Ring	8
	540	W-272540-20	Socket	8
	440	W-272440-01	Ring	10
FRW-6NX-4	540	W-272540-21	Socket	10
	440	W-272440-10	Ring	12
	540	W-272540-30	Socket	12
	440	W-272440-11	Ring	13
	540	W-272540-31	Socket	13

OPTIONAL PARTS: W. HEX SOCKET

Model	Index No.	Parts No.	Name of Part	Socket Hexagon Size (mm)
FRW-6NX-3	540	W-272540-00	Socket	10W.
		W-272540-01	Socket	8W.
FRW-6NX-4	540	W-272540-11	Socket	12W.
		W-272540-12	Socket	13W.

*Specify Hex. size of ratchet socket when ordering. Otherwise, the standard ratchet is equipped.