



USER MANUAL

IMPACT WRENCH

MODELS : FW-250P-1, -2



FW-250P-1
FW-250P-2

SPECIFICATIONS

Model	Capacity Bolt size (Guidance)		Rotational Frequency	Side to Center		Square Drive Size		Overall Length (without socket)		Mass (without socket)		Air Consumption (Under Load)		Air Inlet Thread Size		Air Hose Size	
	mm	in		mm	in	mm	in	mm	in	kg	lb	m ³ /min	ft ³ /min	in	mm	in	
FW-250P-1	24	1	5,000	36.5	1 7/16	25.4	1	228	8 31/32	5.3	11.7	0.7	24.7	PT or NPT 3/8	12.7	1/2	
FW-250P-2	24	1	5,000	36.5	1 7/16	19.0	3/4	226	8 29/32	5.3	11.7	0.7	24.7	PT or NPT 3/8	12.7	1/2	

The performance figures are at 0.63MPa (6.3bar).

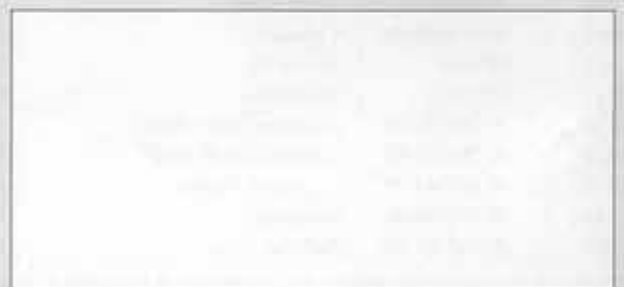
Refer to "The Instructions and Warning for Safety Use" enclosed in each tool box.

FUJI AIR TOOLS CO., LTD.

2-1-14 Kamiji, Higashinari-ku, Osaka, 537-0003 Japan

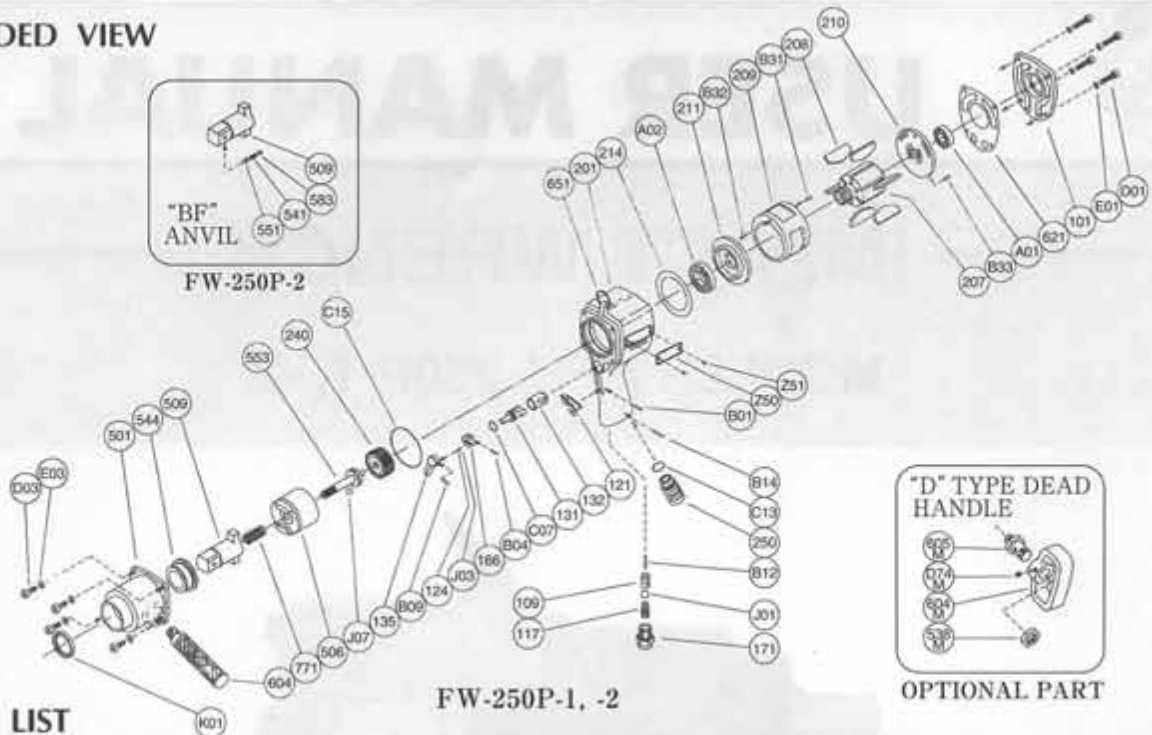
Tel : (06) 6972-2335

Fax : (06) 6972-2250



PARTS LIST MODEL: FW-250P-1, -2

EXPLODED VIEW



PARTS LIST

FW-250P-1, -2

OPTIONAL PART

Index No.	Parts No.	Parts Name	Qt.	Index No.	Parts No.	Parts Name	Qt.
FW-250P-1							
FW-250P-2							
Assy No.	W-290006-00	Housing Assy (PT)		506	W-290506-00	Hammer Clutch	1
Assy No.	W-290006-01	Housing Assy (NPT)		553	W-290553-00	Clutch Shaft	1
201	W-290006-50	Housing	1	604	W-094604-00	Dead Handle	1
109	W-290109-00	Throttle Valve Bushing	1	621	W-290621-00	Packing (A)	1
132	W-260132-00	Throttle Valve Bushing	1	651	W-181651-00	Horizontal Hanger	1
117	W-290117-00	Throttle Valve Spring	1	771	W-290771-00	Spring	1
121	W-252121-00	Throttle Valve Lever	1	A01	BB-6003	Ball Bearing	1
124	G-005124-00	Knock Spring	1	A02	BB-EE9	Ball Bearing	1
131	W-260131-00	Reverse Valve	1	B14	SP-326	Spring Pin	1
135	W-225135-00	Reverse Valve Lever	1	B33	SP-38	Spring Pin	1
166	W-290166-00	Reverse Valve Cover	1	C02	O-570	"O" Ring	1
171	W-290171-00	Inlet Joint (PT)	1	C13	O-S18	"O" Ring	1
	W-290171-01	Inlet Joint (NPT)	1	D01	CS-620	Cap Screw	4
B01	SP-318	Spring Pin	1	D03	CS-620	Cap Screw	4
B04	SP-225	Spring Pin	1	E01	SW-6	Spring Washer	4
B09	SP-318	Spring Pin	1	E03	SW-6	Spring Washer	4
B12	NR-326FR	Needle Roller	1	J07	B-3/8	Ball	1
C07	O-S14	"O" Ring	1	Z50	NP-3017	Name Plate	1
J01	B-1/2	Ball	1	Z51	NPN-0×3.2	Screw Rivet	2
J03	B-3	Ball	1	FW-250P-1			
Assy No.	W-290013-00	Clutch Housing Assy		509	W-290509-00	Anvil	1
501	W-290501-00	Clutch Housing	1	FW-250P-2			
544	W-290544-00	Clutch Housing Bushing	1	509	W-290509-01	Anvil	1
K01	OS-VB32455	Oil Seal	1	FW-250P-2			
101	W-290101-00	Housing Cover	1	"BF" ANVIL			
207	W-290207-00	Rotor	1	509	W-290509-02	Anvil (B)	1
208	W-290208-00	Rotor Blade	6	(541)	W-192541-00	Button Retainer Spring (F)	1
209	W-290209-00	Cylinder	1	(551)	W-192551-00	Plug	1
B31	SP-410	Spring Pin	1	(583)	W-192583-00	Retainer Button (F)	1
B32	SP-410	Spring Pin	1	OPTIONAL PART			
210	W-290210-00	Cylinder Upper Plate	1	"D" TYPE DEAD HANDLE			
211	W-290211-00	Cylinder Lower Plate	1	Assy No.	W-014014-00	"D" Type Dead Handle Assy	
214	W-290214-00	Adjusting Washer	1	538M	W-014538-M	Exllagon Nut (B)	1
240	W-290240-00	Coupling	1	604M	W-014604-M	Dead Handle	1
250	W-290250-00	Exhaust Cover	1	605M	W-014605-M	Dead Handle Joint	1
				D74M	SS-810C	Set Screw (Cone Point)	1

□ Assy No. denotes the assembled parts comprising of more than 1 pc. of parts.
The related parts are shown in the thick frame.

□ #209, 211 and 509 are supplied together with parts shown in ().
□ Specify parts number and quantity in ordering.